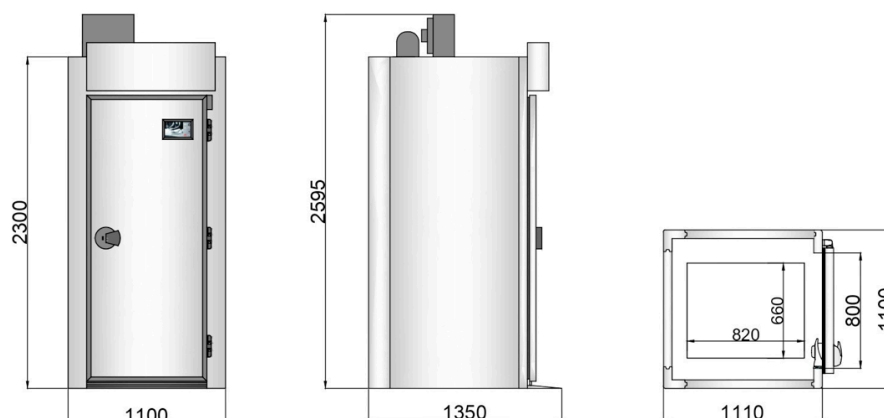


Retarder Prover Room



CARATTERISTICHE TECNICHE

External dimensions	mm 1100x1100x2300h
Internal dimensions	mm 800x950x1980h
Maximum external height	mm 2595
Structure	Prefabricated modular panels with thickness of insulation 60mm. Polyurethane rigid foam without CFC and density 38/40 Kg/mc. Sanitary profiles on the floor and ceiling
Floor	Without floor
Internal finishing	White painted galvanized sheet
External finishing	White painted galvanized sheet
Doors – entry	n.1 mm 800x2000h – industrial closing
Capacity of racks - trays	n.1 for trays mm 600x800
Evaporator	n.1 with four fans Ø 200mm
Evaporator capacity	1010 Watt a 2°C room / -8°C evaporation
Fans absorption	86 Watt
Tropicalized condensing unit	n.1 ermetic Embraco compressor of 3/4Hp. N.1 fans Ø250 mm. Dimensions mm 330x500x295h. Pump Down. High and low pressure switch
Condensing unit capacity	1093 Watt at -10°C evaporation / 38°C condensation
Defrosting resistances	n.1 of 650 Watt
Heating elements	n.1 of 1000 Watt
Steam generator	n.1 ultrasonic humidifiers
Temperature range	-5 / +40 °C
Humidity range	50 – 100 %
Temperature probe	n.1 0-10 Volt
Humidity probe	n.1 0-10 Volt
Master controller	n.1 electronic with touch screen 7"
Voltage	Volt 1x230+N 50Hz
Gas	R452a
Maximum absorption	1,5 Kw.

OPTIONS

Remote Access	Complete remote room management. E-mail alarms notification.
Internal finishing	Stainless steel AISI 304 18/10
External finishing	External in gray PET
External front finishing	Stainless steel AISI 304 18/10
Floor – Version A	Multiplayer phenolic wood thickness 30mm + s/s ramps.
Floor – Version B	Insulated and reinforced floor, thickness of insulation 60mm with exposed multiplayer phenolic wood + s/s ramps.
Floor – Version C	Insulated and reinforced floor, thickness of insulation 60mm with anti-slip stainless steel AISI 304 18/10 finishing + s/s ramps.
Remote Silenced tropicalized condensing unit	n.1 with Embraco compressor of 1Hp + accessories – Volt 1x230V+N, 50Hz – distance 10m, dimensions mm 850x360x770h
Pressure reducer	n.1 on water inlet, filet ¾"

CODE

MA80-1P-110x111